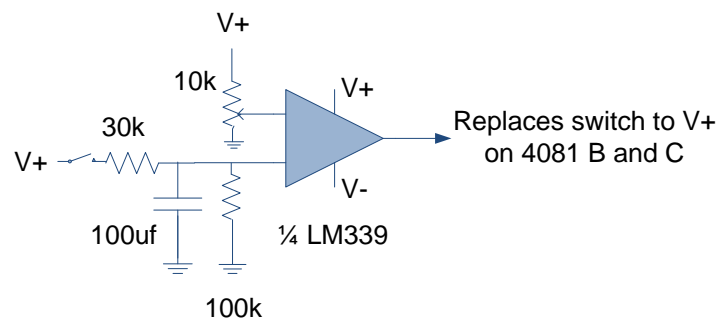


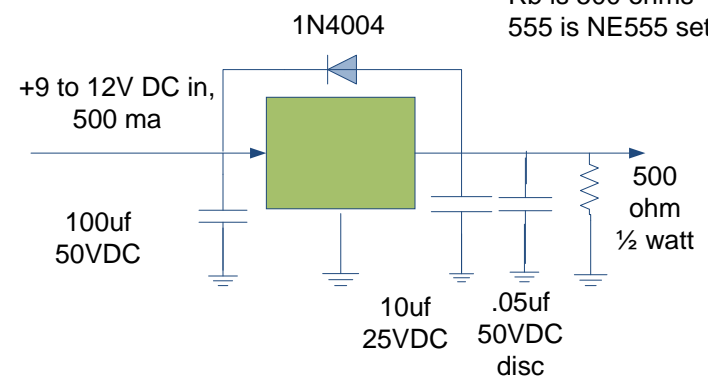
Each resistor builds out to separate relays, selected based on needed performance

Each resistor builds out to separate relays, selected based on needed performance

Rp is pulldown resistor
Rb is 500 ohms
555 is NE555 set for 1 second pulses



Time Delay Trigger – requires switch to be held down to activate



7805 Regulator



860 W. Buckingham Suite 1E
Chicago, IL 60657
scopefocus.com
773 248 5100